



**SPARE PARTS CATALOGUE
ERSATZTEILKATALOG
CATALOGUE PIECES DETACHEES
CATALOGO PARTI RICAMBIO
CATALOGO DE PIEZAS DE RECAMBIO
CATALOGO PECAS, DE REPOSICAO**

Catalogo parti di ricambio valido
dalla matricola 4329420 ad oggi (17/11/2021)

Catalogue pieces detachees
du numero de Série n. 4329420 jusqu'à aujourd'hui (17/11/2021)

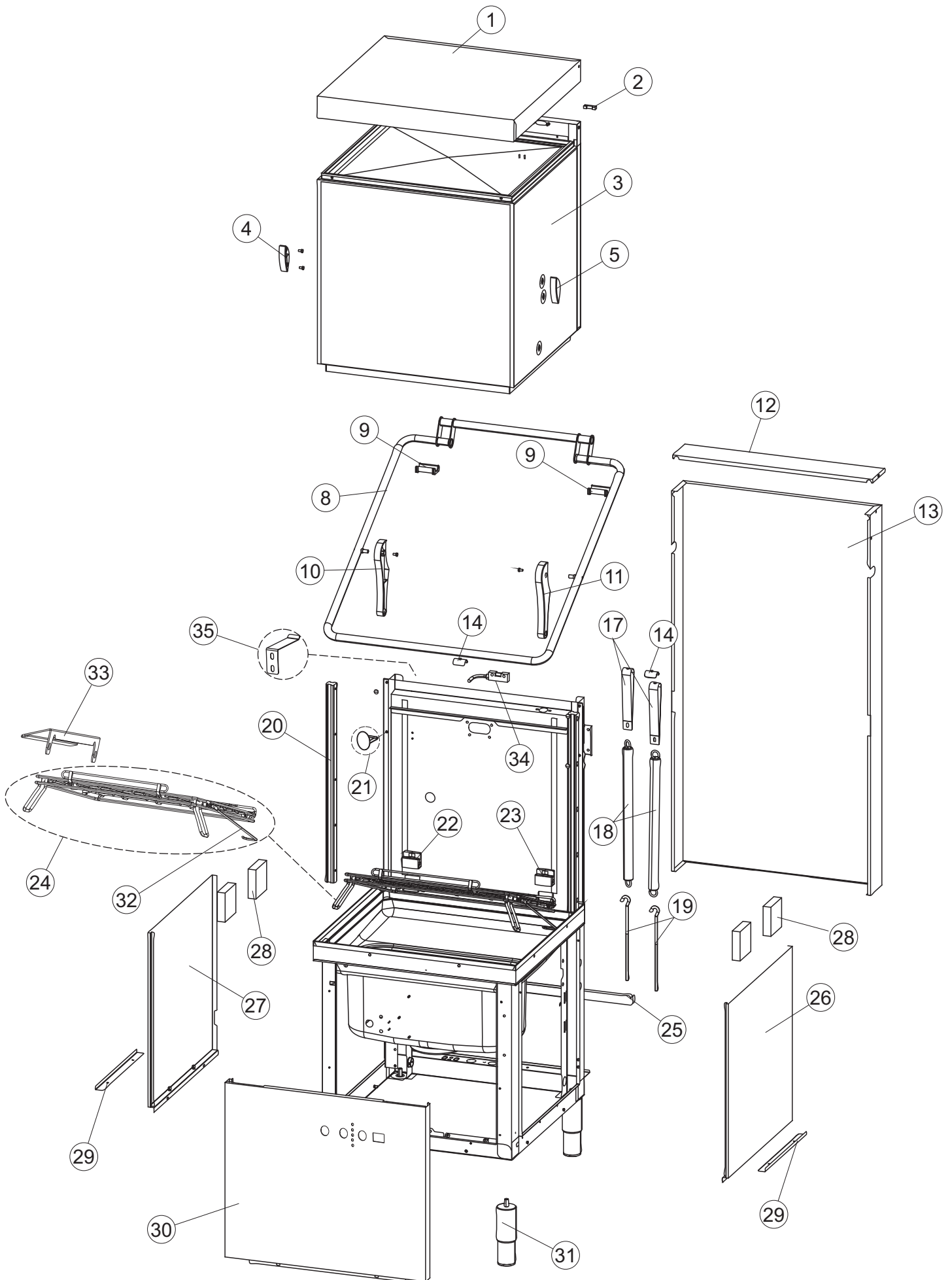
Ersatzteilkatalog
gültig ab Serien-Nr. 4329420 bis heute (17/11/2021)

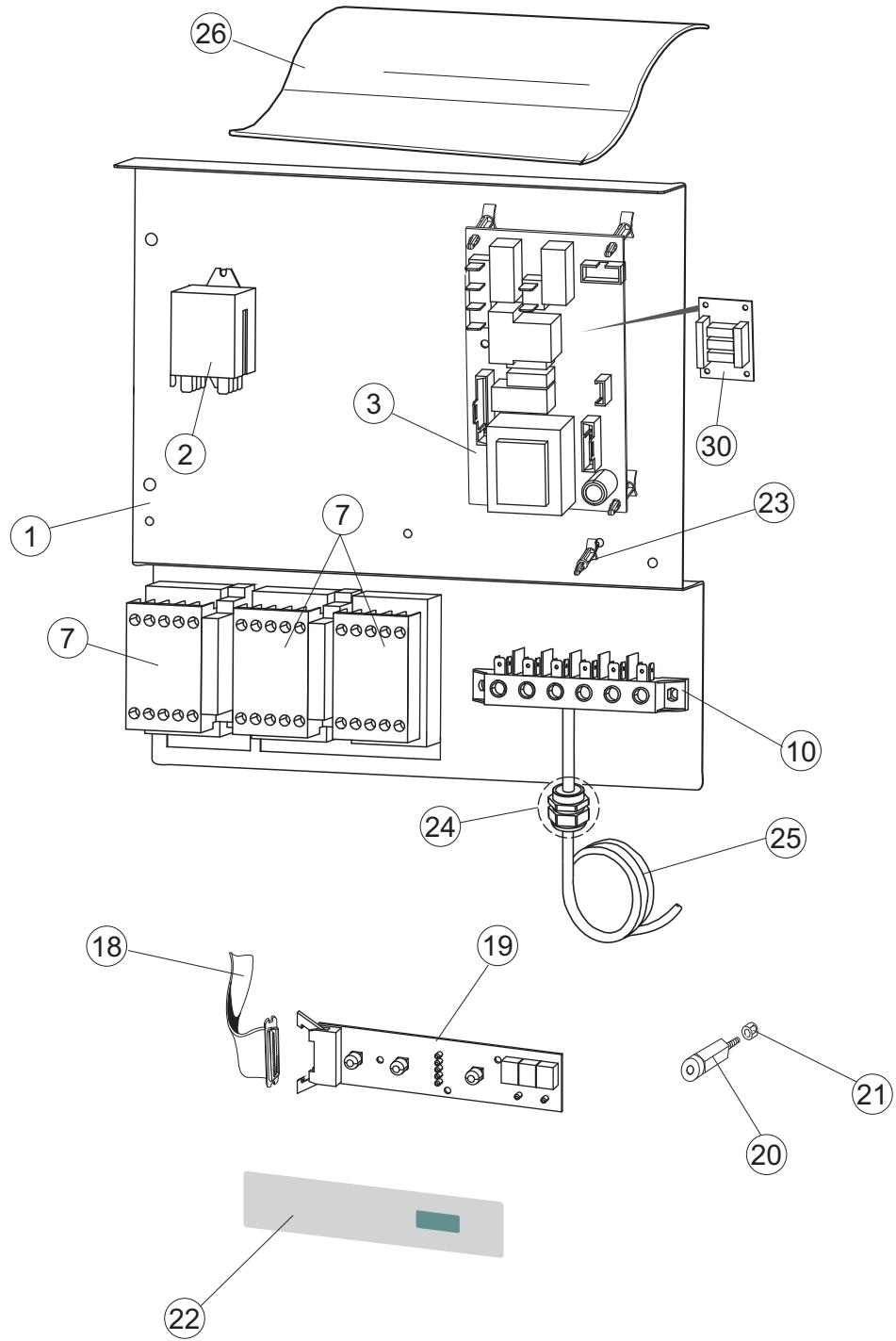
Spare parts catalogue
valid from serial no. 4329420 up today (17/11/2021)

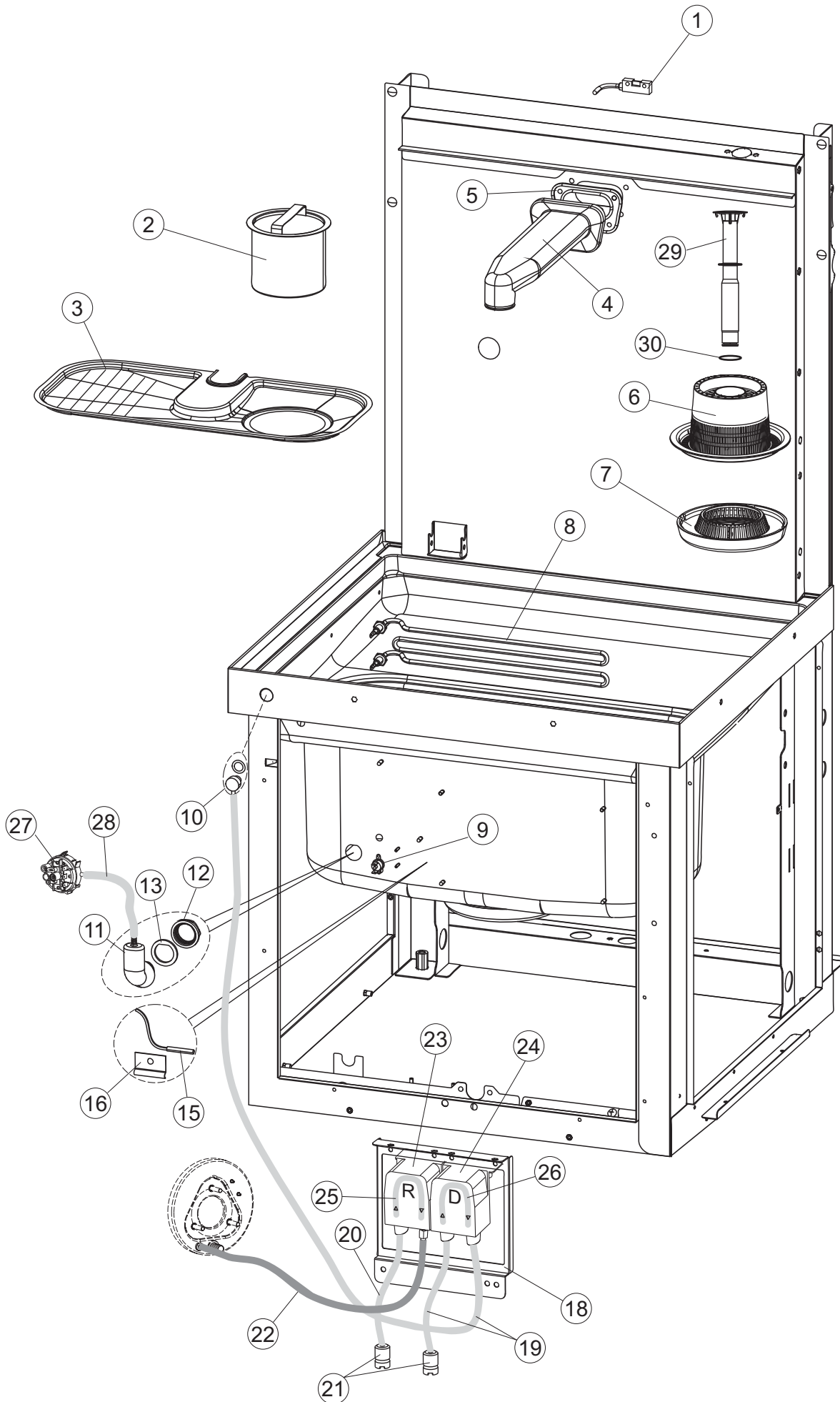
Catálogo de peças de reposição
válido do número de série 4329420 até hoje (17/11/2021)

CP4560D

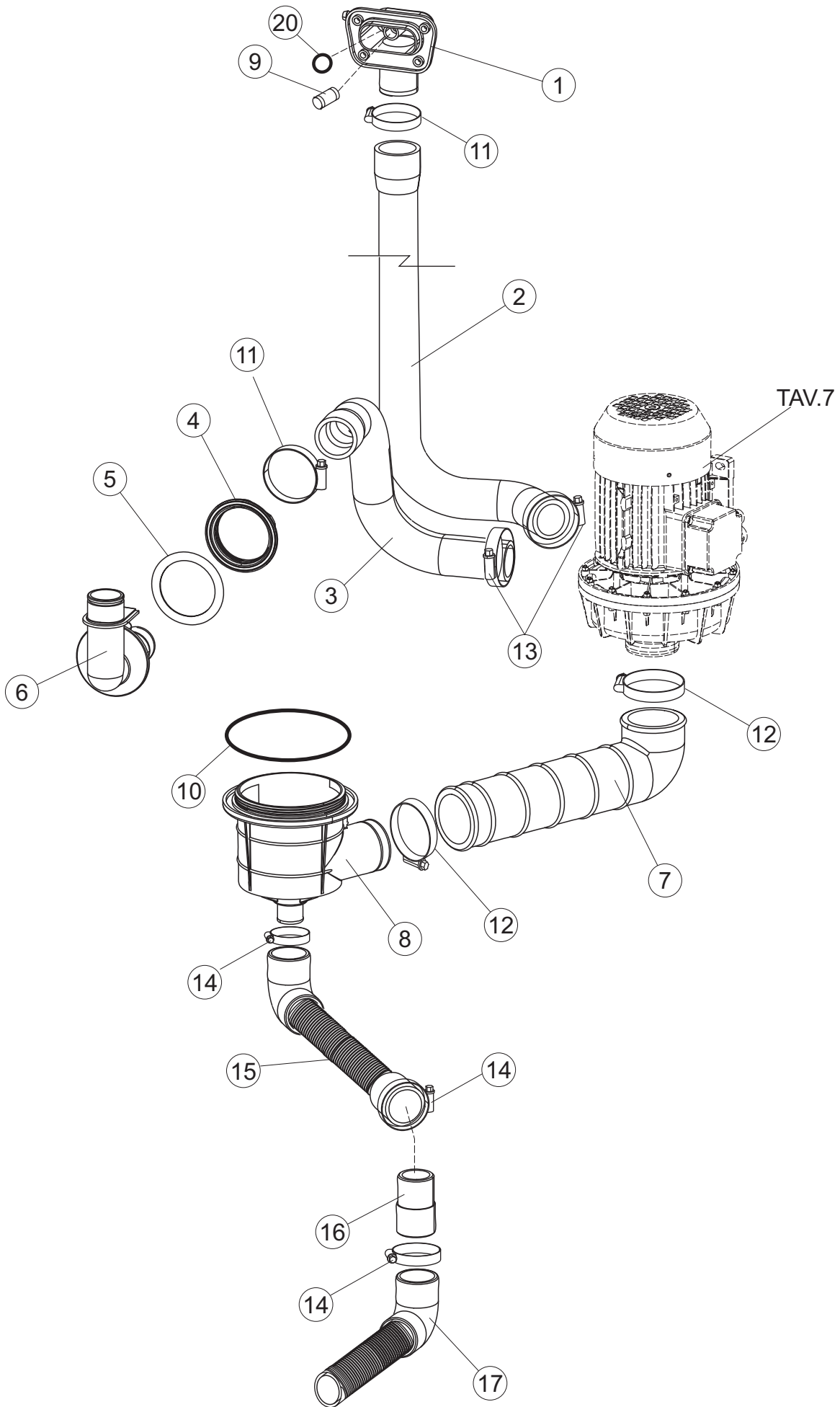
1

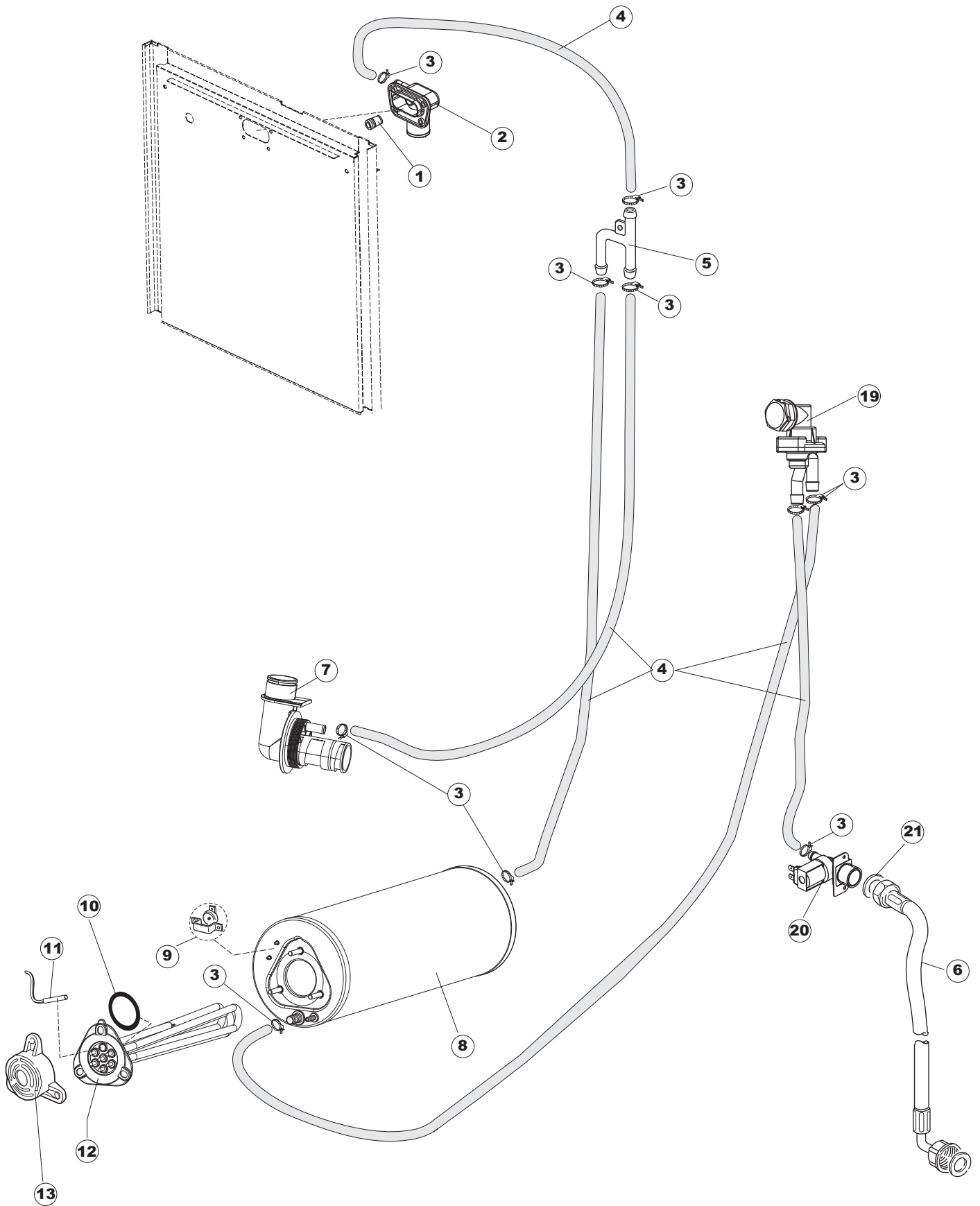




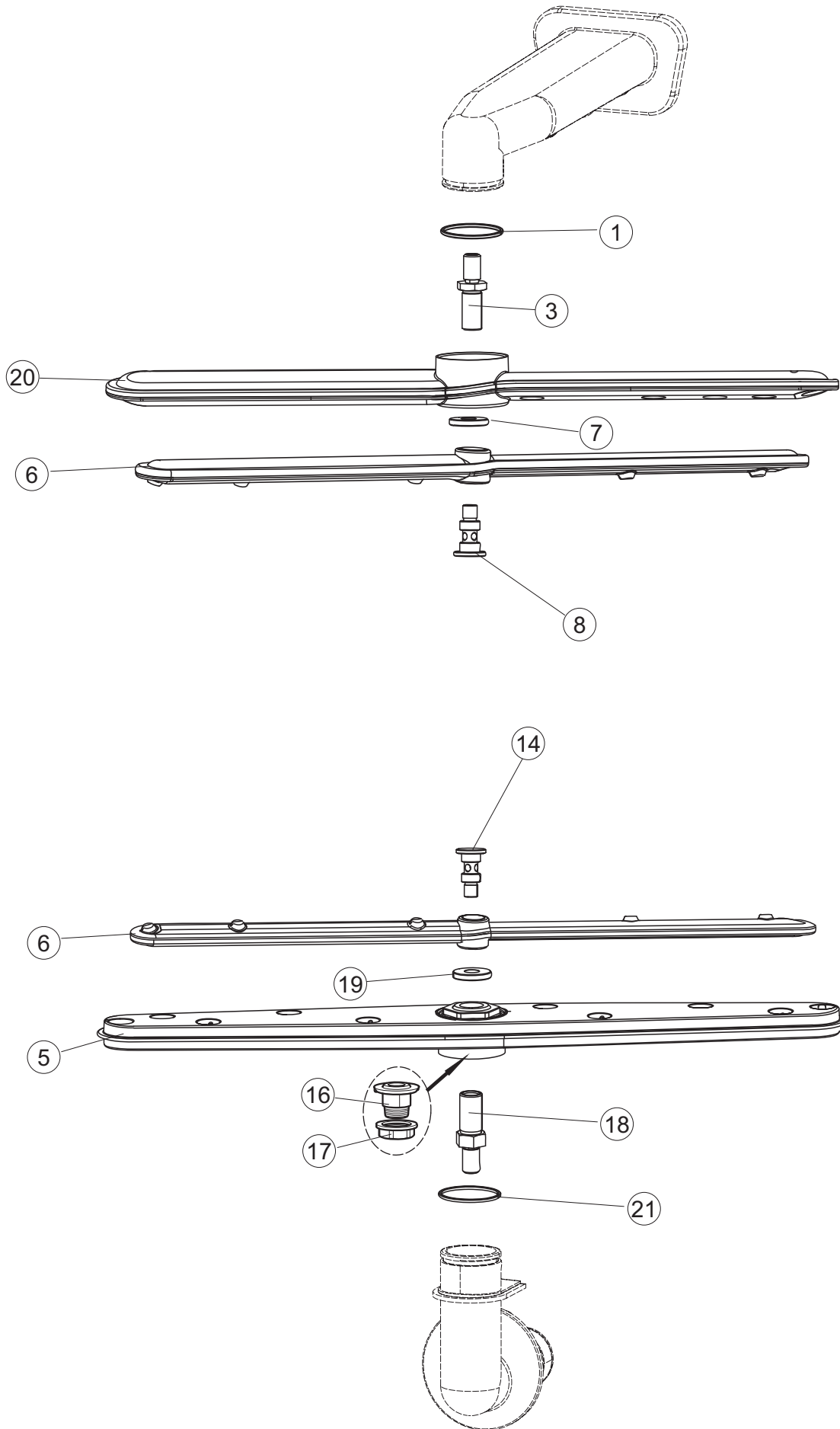


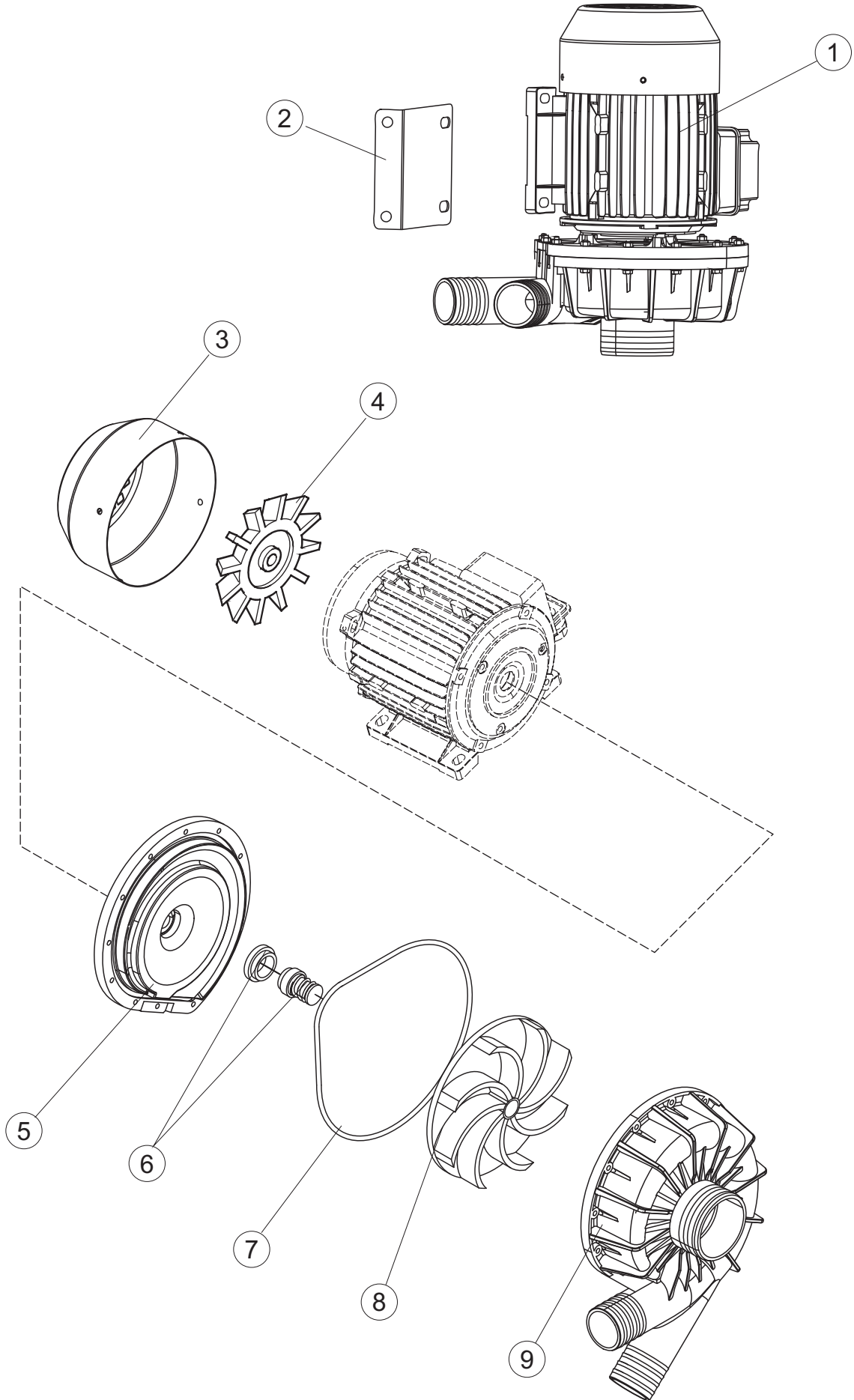
4





6





(*) Recommended spare part.

Page	Spare part position	Spare part code no.	Old code number	Description	U.m.
1	1	70351		TOP PANEL	NR
1	2	927088		MAGNET FOR HOOD MICROSWITCH	NR
1	3	K70139		HOOD	NR
1	4	70202		LEFT HOOD HANDLE STOP	NR
1	5	70203		RIGHT HOOD HANDLE STOP	NR
1	8	70126		HANDLE	NR
1	9	70192		PART NUMBER NO LONGER AVAILABLE	
1	10	70200		LEFT LEVER HOOD	NR
1	11	70201		RIGHT LEVER HOOD	NR
1	12	70324		BACK PANEL	NR
1	13	70163		BACK PANEL	NR
1	14	70277		SPRING HOOKING SLIDE	NR
1	17	70031		SPRING ADJUSTMENT HOOK	NR
1	18	926108		EXTENSION STEEL SPRING FOR DISHWASHER	NR
1	19	926009		SPRING ADJUSTMENT HOOK	NR
1	20	K70365		REPLACEMENT HOOD KIT GUIDE	NR
1	21	70998		SPACER	NR
1	22	70036		LEFT BRACKET	NR
1	23	70035		RIGHT BRACKET	NR
1	24	70255		RACK FRAME	NR
1	25	70019		HOLDER TENSION SPRING	NR
1	26	70072		PRICE TO BE DEFINED (PART NR. REPLACED BY 70872)	
1	26	70872		RIGHT SIDE PANEL	NR
1	27	70071		PRICE TO BE DEFINED (PART NR. REPLACED BY 70871)	
1	27	70871		LEFT SIDE PANEL	NR
1	28	41042		ADHESIVE PLUG	NR
1	29	80078		SUPPORT BRACKET	NR
1	30	70382		PRICE TO BE DEFINED	
1	31	73100		FOOT	NR
1	32	70265		PART NUMBER NO LONGER AVAILABLE	
1	33	70250		SIDE BRINGS BASKETS	NR
1	34	80871		MAGNETIC DOOR SWITCH	NR

(*) Recommended spare part.

Page	Spare part position	Spare part code no.	Old code number	Description	U.m.
1	35	70300		STIRRUP	NR
2	1	70459		PANEL FOR ELECTRICAL COMPONENTS	NR
2	2	929115		RELAY 16A 230V	NR
2	3	215034-2		MAIN BOARD	NR
2	7	73350		CONTACTOR	NR
2	10	220011		TERMINAL BLOCK	NR
2	18	80934		FLAT CABLE	NR
2	19	80945		PUSH BUTTONS ASSEMBLY	NR
2	20	419036		INTERFACE BOARD DISTANCE KEEPERS	NR
2	21	417119		NUT	NR
2	22	70709		CONTROL ADHESIVE INTERFACE	NR
2	23	CWP2		FOOT	NR
2	24	DEP521		CABLE GLAND	NR
2	25	69803		POWER CABLE	NR
2	26	80731		PVC CURTAIN FOR ELECTRIC PROTECTION	NR
2	30	215036		EXPANSION CARD FOR ADD-ONS	NR
3	1	80871		MAGNETIC DOOR SWITCH	NR
3	2	70159		TANK STRAINER BASKET	NR
3	3	70153		STAINER	NR
3	4	69017		MAINFOLD	NR
3	5	80178		GASKET	NR
3	6	121120		STAINER	NR
3	7	429072		RING NUT	NR
3	8	70562		HEATING ELEMENT	NR
3	9	926189		CONTACT SAFETY-THERMOSTAT	NR
3	10	999348		DETERGENT TANK FITTING	NR
3	11	70600		AIR TRAP FOR PRESSURE SWITCH	NR
3	12	417120		NUT	NR
3	13	437098		GASKET	NR
3	15	231016		TEMPERATURE PROBE	NR
3	16	H.775489-001		SUPPORT TEMPERATURE PROBE	NR
3	18	80675		SUPPORT BRACKET	NR

(*) Recommended spare part.

Page	Spare part position	Spare part code no.	Old code number	Description	U.m.
3	19	143194		PIPE	MT
3	20	H.775601		PIPE	MT
3	21	121993		FILTER AID DISPENSER	NR
3	22	143005		LINEN RUBBER PIPE 5X12 - BLACK	MT
3	23	209036		PRICE TO BE DEFINED (PART NR. REPLACED BY 209042C)	
3	23	209042C		DOSING PUMP	NR
3	24	209039		PRICE TO BE DEFINED (PART NR. REPLACED BY 209043C)	
3	24	209043C		DETERGENT DOSING PUMP	NR
3	25	143266		PIPE	NR
3	26	143267		PIPE	NR
3	27	224002		PRESSURE SWITCH TYPE 110-60	NR
3	28	143131		PIPE	MT
3	29	70355		OVERFLOW PIPE	NR
3	30	70135		O-RING	NR
4	1	80174		PIPE FITTING	NR
4	2	70020		PIPE	NR
4	3	70021		DELIVERY WASH HOSE	NR
4	4	70473		RING NUT	NR
4	5	70476		GASKET	NR
4	6	70475		LOWER MANIFOLD	NR
4	7	80186		SUCTION PIPE	NR
4	8	70040		DRAIN COCKPIT	NR
4	9	441009		GASKET	NR
4	10	456076		O-RING	NR
4	11	CFS1A		HOSE CLAMP	NR
4	12	CFS3		CLAMP, HOSE-TYPE TORRO W2B 60-80/12	NR
4	13	CFS2		CLAMP, TORRO W1/W2B 50-70/12	NR
4	14	CFS1		HOSE CLAMP	NR
4	15	70116		DRAIN HOSE	NR
4	16	70167		DRAIN CONNECTION	NR
4	17	143252		DRAIN HOSE	NR
4	20	CGR3037		O-RING	NR

(*) Recommended spare part.

Page	Spare part position	Spare part code no.	Old code number	Description	U.m.
5	1	441009		GASKET	NR
5	2	80174		PIPE FITTING	NR
5	3	927322		HOSE CLAMP	NR
5	4	143010		RUBBER PIPE 12X19,5	MT
5	5	143268		JUNCTION "Y"	NR
5	6	926169		PRICE TO BE DEFINED	
5	7	70475		LOWER MANIFOLD	NR
5	8	104060		BOILER	NR
5	9	926189		CONTACT SAFETY-THERMOSTAT	NR
5	10	456002		O-RING	NR
5	11	231016		TEMPERATURE PROBE	NR
5	12	230020C		KIT HEATING ELEMENTS REB230020 (8KW)	NR
5	13	69870		BOILER HEATING ELEMENT PROTECTION	NR
5	19	144010NT		NON-RETURN VALVE	NR
5	20	240016		SOLENOID VALVE	NR
5	21	437041		GASKET	NR
6	1	80184		SEALING RING	NR
6	3	70283		TOP PIVOT	NR
6	5	80311		COMPLETE WASH ARM	NR
6	6	129080		COMPLETE RINSE ARM	NR
6	7	K80697		RING NUT M10 WITH TEFLON WASHER	NR
6	8	80700		PIVOT	NR
6	14	80644		PIVOT	NR
6	16	80310		GREY WASH ARM HOLDER (RAL 7001)	NR
6	17	80314		PART NUMBER NO LONGER AVAILABLE (PART NR. REPLACED BY 926128)	
6	17	926128		HUB SUPPORT NUT FOR WASHING ARMS FOR DISHWASHERS MOD L51/52 (S6695)	NR
6	18	80283		BOTTOM PIVOT	NR
6	19	K80679		RING NUT M12 WITH TEFLON WASHER	NR
6	20	129076		COMPLETE WASH ARM	NR
6	21	80184		SEALING RING	NR
7	1	70100		WASHPUMP	NR
7	2	70105		BRACKET	NR

(*) Recommended spare part.

Page	Spare part position	Spare part code no.	Old code number	Description	U.m.
7	3	70940		ELECTROPUMP FAN COVER	NR
7	4	70939		WASPUMP FUN	NR
7	5	70941		PART NUMBER NO LONGER AVAILABLE	
7	6	70942		WASPUMP SHAFT SEAL	NR
7	7	70943		O-RING	NR
7	8	70944		ELECTROPUMP IMPELLER	NR
7	9	70945		ELECTROPUMP HOUSING	NR